



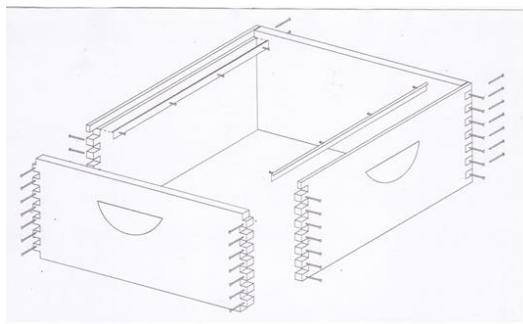
Assembly instructions for Commercial Brood and commercial Super

Commercial Brood & Supers both comprise of 4 walls the same size, 2 have a rebate for the frame runners to sit on.

Included are all nails for assembly and metal frame runners.

Start by applying glue to the dovetail joints of the walls and then push them together ensuring the handles are up the correct way.

Tap the joints together using a block of wood if necessary to make sure you don't damage the wood.



Nail the box together with the 2" nails checking every now and again that the box is square.

Nail the runners on using the escutcheon pins.

Becky's Beez Ltd, Fourways, Picket Twenty, Andover SP11 6LF
www.beckysbeesonlineshop.co.uk Tele: 01264 351104